

PROCESSOR
252 SHEET 4
DSP AUDIO

VCO sheet 6

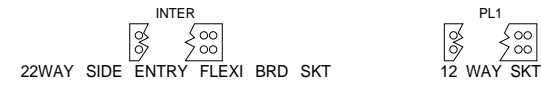
RECEIVER

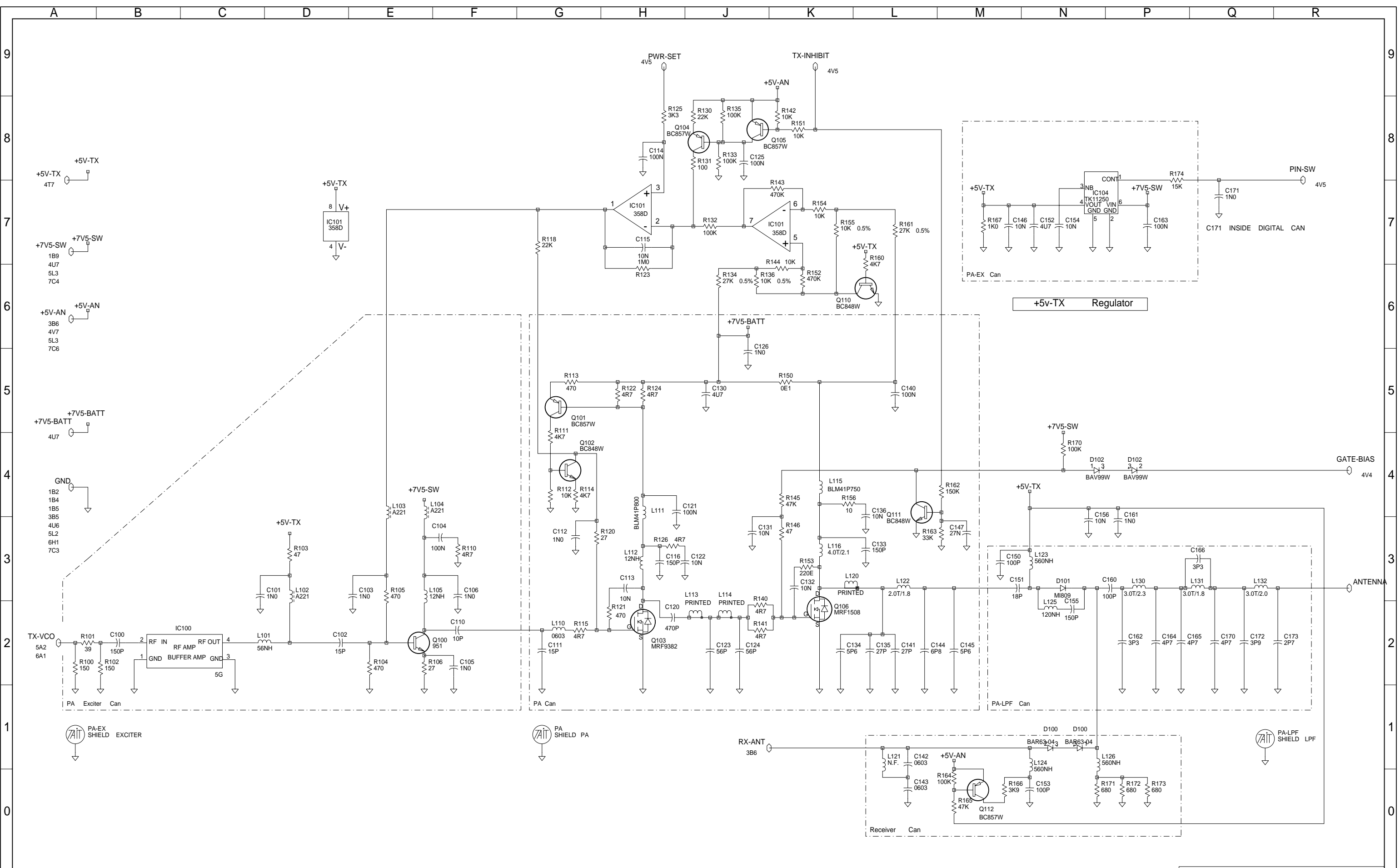
SYNTH-VCO

POWER-AMP

© TAIT ELECTRONICS	
ORCA : 400-470MHZ SYSTEM DIAGRAM	
IPN: 220-01603-01	ISSUE: B
DESIGNER: CJK	FILE DATE: 01/08/99
PROJECT: ORCA	NO. SHEETS: 7

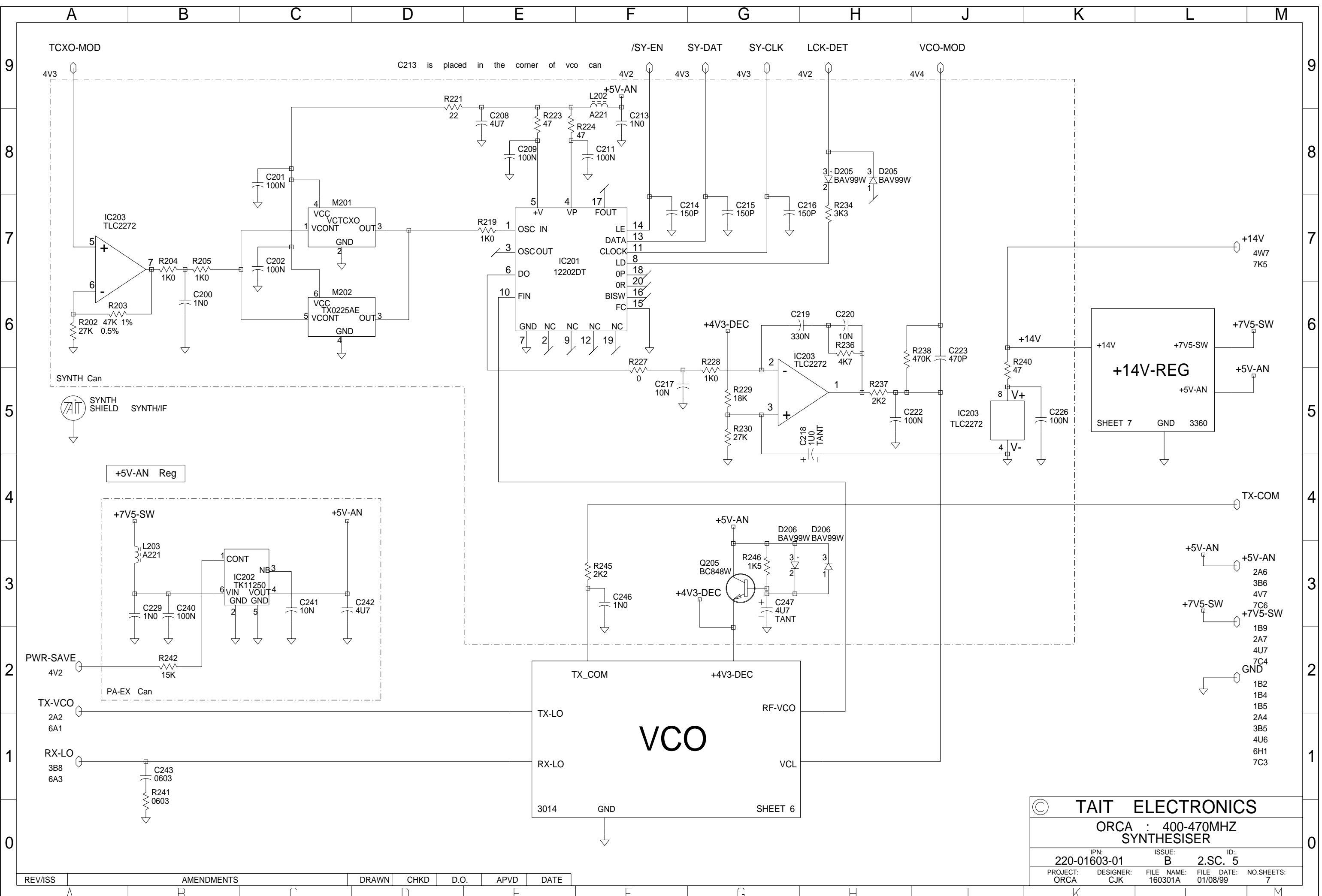
01A	NEW PA FOR 400-470 MHZ	CJK	JJ	10/06/99
REV/ISS	AMENDMENTS	DRAWN	CHKD	D.O.
		APVD	DATE	





© TAIT ELECTRONICS
 ORCA : 400-470MHZ
 POWER AMPLIFIER
 IPN: 220-01603-01 ISSUE: B ID: 2.S.C. 2
 PROJECT: ORCA DESIGNER: CJK FILE NAME: 160301A FILE DATE: 01/08/99 NO.SHEETS: 7

REV/ISS	AMENDMENTS	DRAWN	CHKD	D.O.	APVD	DATE
A						



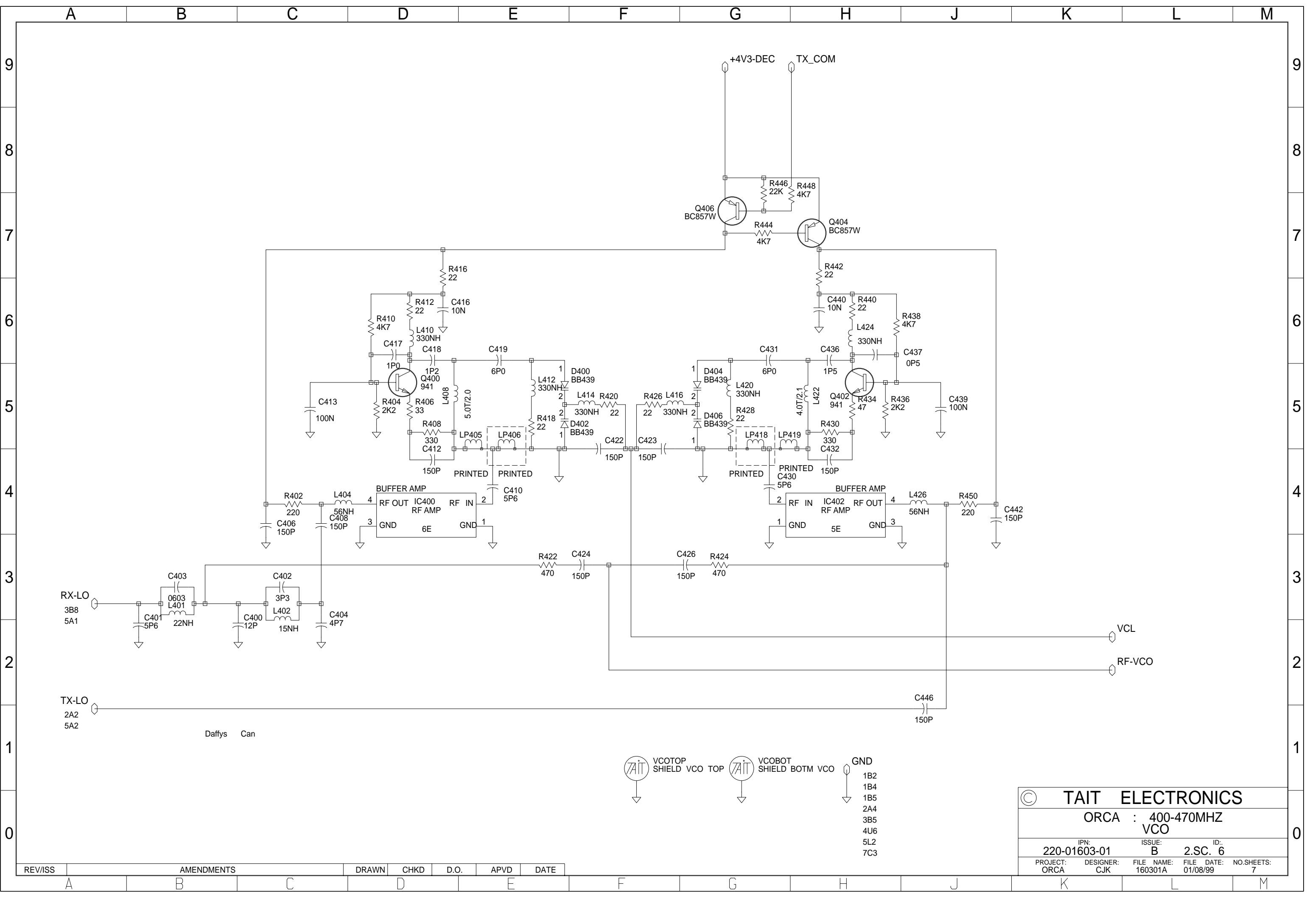
© TAIT ELECTRONICS

ORCA : 400-470MHZ SYNTHESISER

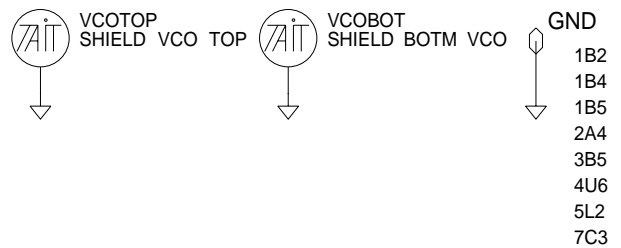
IPN: 220-01603-01 ISSUE: B ID: 2.SC. 5

PROJECT: ORCA DESIGNER: CJK FILE NAME: 160301A FILE DATE: 01/08/99 NO.SHEETS: 7

REV/ISS	AMENDMENTS	DRAWN	CHKD	D.O.	APVD	DATE

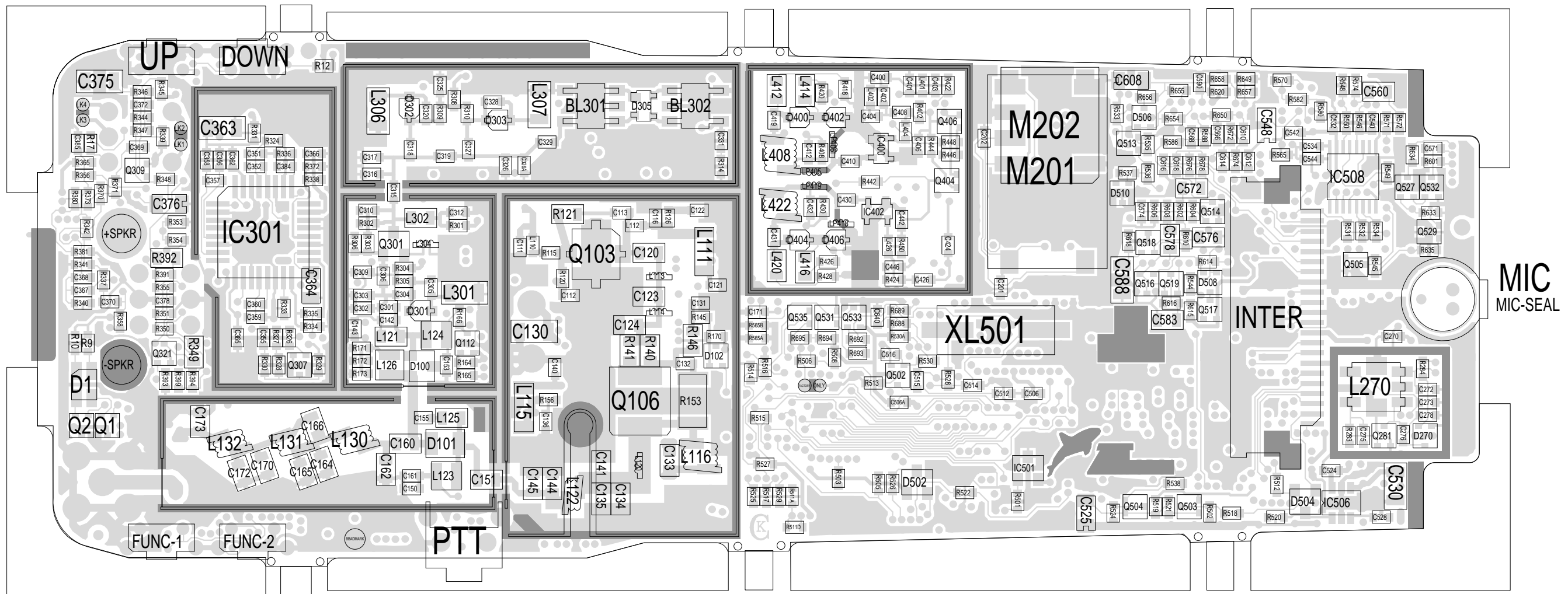


Daffys Can



© TAIT ELECTRONICS				
ORCA : 400-470MHZ VCO				
IPN:	ISSUE:	ID:		
220-01603-01	B	2.SC. 6		
PROJECT:	DESIGNER:	FILE NAME:	FILE DATE:	NO.SHEETS:
ORCA	CJK	160301A	01/08/99	7

REV/ISS	AMENDMENTS	DRAWN	CHKD	D.O.	APVD	DATE



TAIT ELECTRONICS IPN: 220-01603-01 ISS: -01A ID: 6.BA DATE: 3 Aug 1999
 ORCA UHF PCB LAYOUT - BOTTOM SIDE

Scale: 2.3:1 ; Rotation: 0 degrees